

MASE ▶ MODE



HANDMADE SINK ▶

STAINLESS STEEL FAUCET
BASIN FAUCET
SHOWER

MASE ▶ MODE

The image features a dark, atmospheric background filled with the silhouettes of large, tropical leaves. On the right side, a single leaf is highlighted with a warm, golden-brown light, revealing its intricate, perforated texture. The rest of the leaves are mostly in shadow, creating a sense of depth and mystery. In the upper left corner, the text 'MASE ▶ MODE' is displayed in a clean, white, sans-serif font.

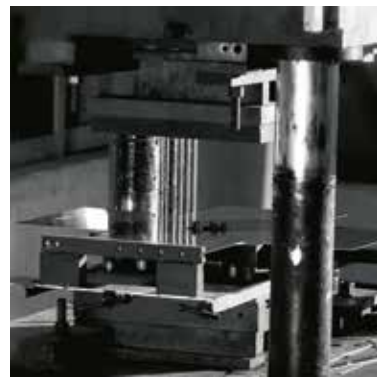
ABOUT MASEMODE

INDEX

MAJOR PRODUCTION PROCESSES OF HANDMADE SINKS



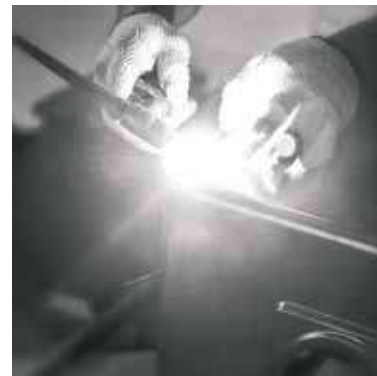
1 LASER CUTTING



2 DRAINER HOLE PRESSING



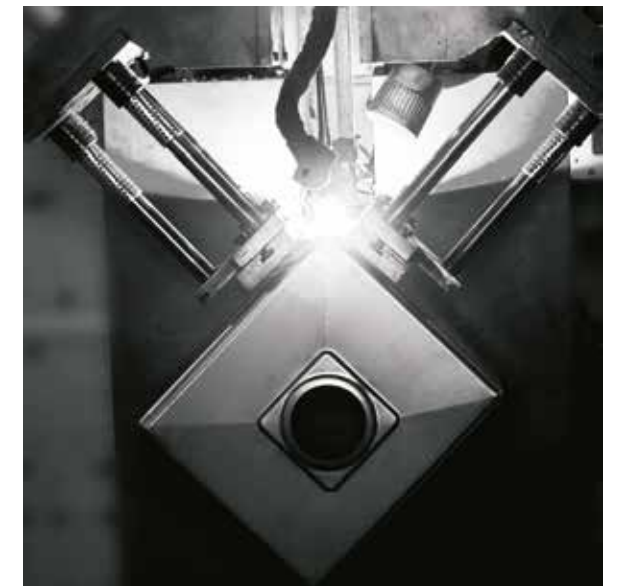
3 DIVERSION LINE & EDGE BENDING



4 SPOT-WELD



5 FILLET FORMING



6 MECHANICAL WELDING



7 STRUCTURE SPLICING FOR
PANEL&SINK



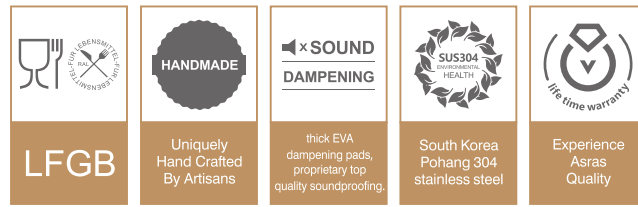
8 BELT SANDING



9 ANGLE POLISHING

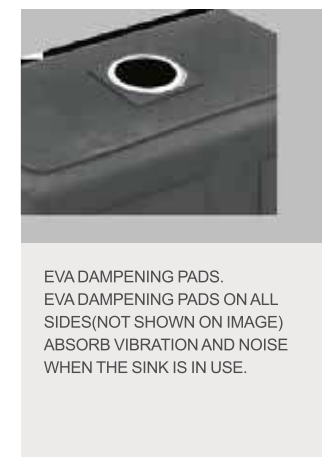
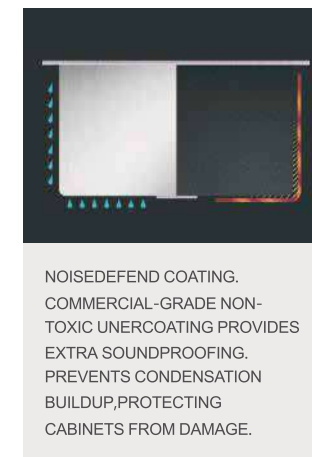
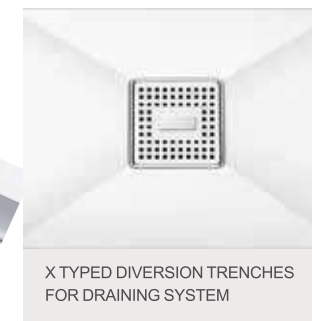
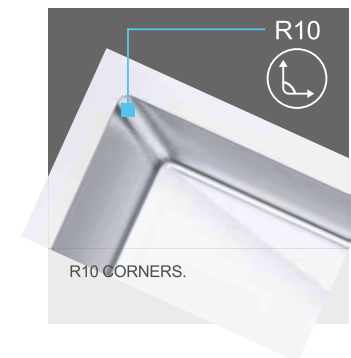
PRODUCTION
HIGH
in
STANDARDS

KITCHEN AND BATHROOM



MULTIPURPOSE
HANDMADE SINKS

HIGH STANDARDS

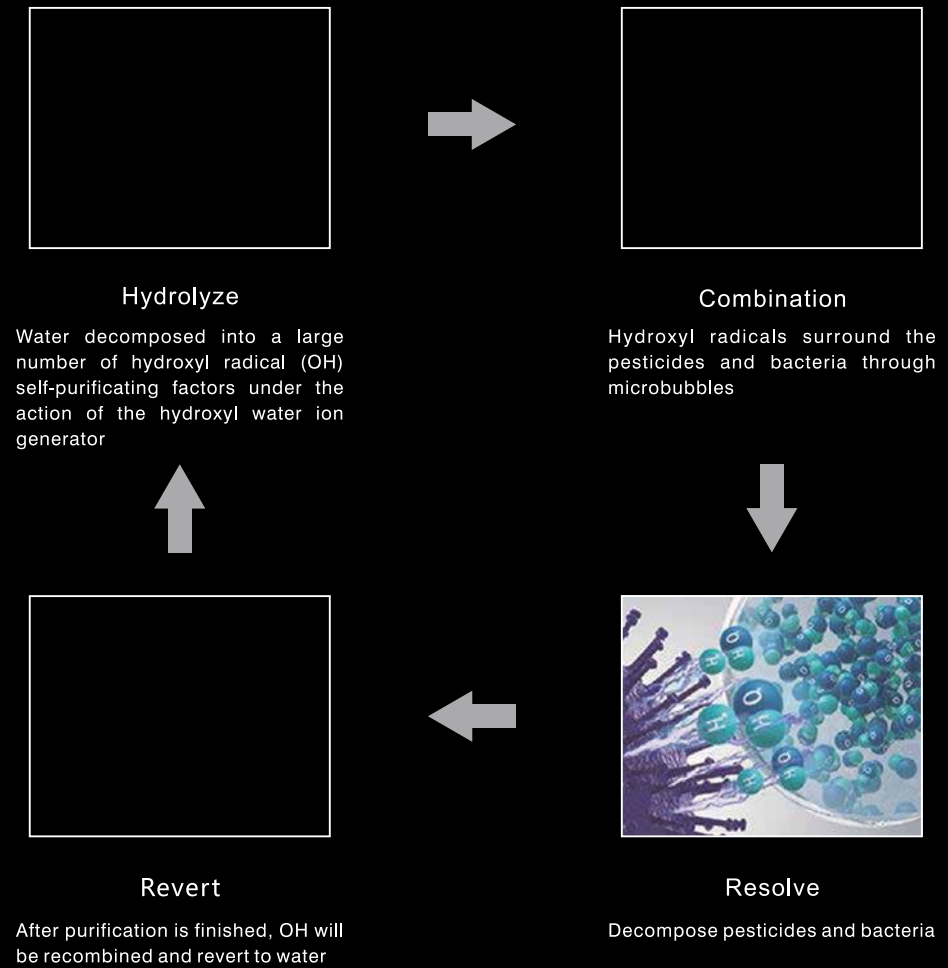
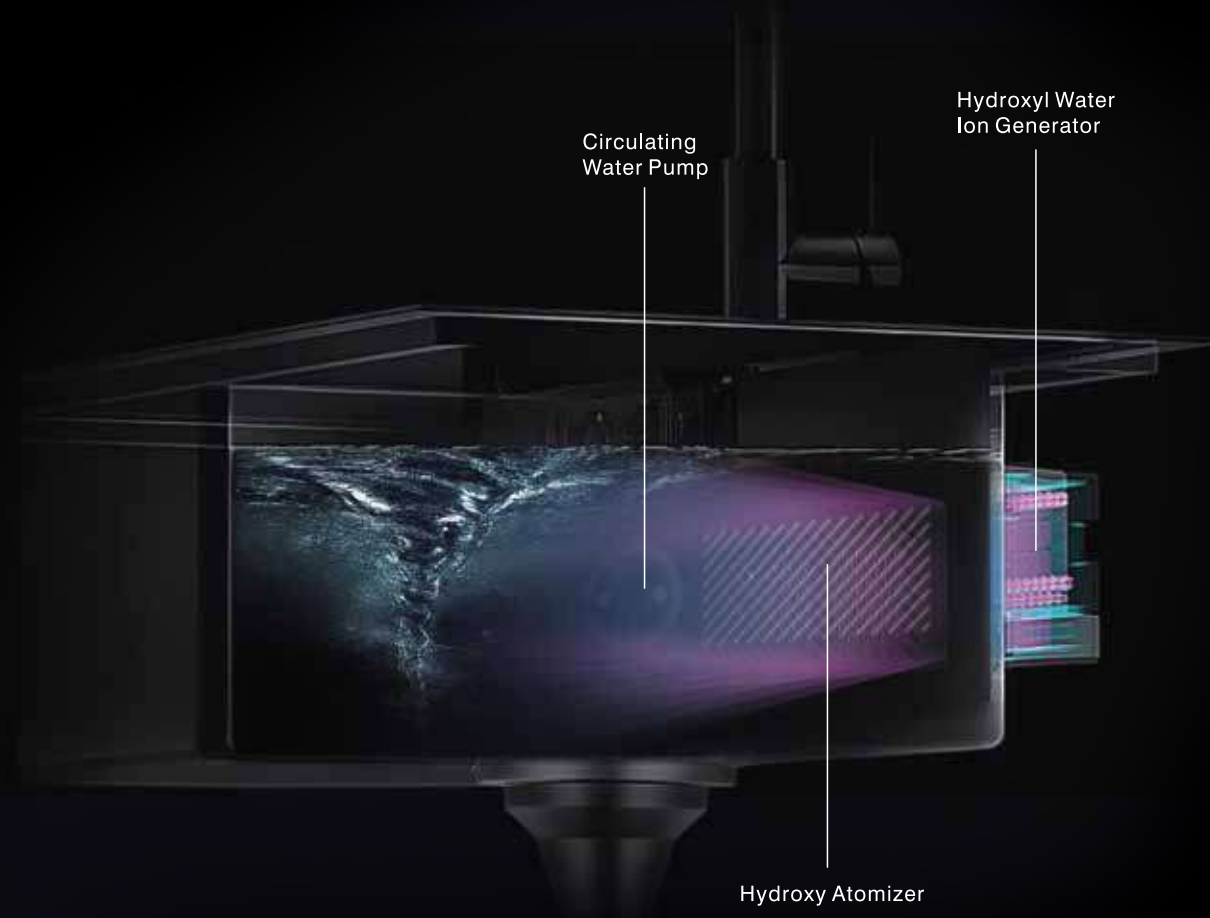


HYDRO PURIFICATION SINK

THE PRINCIPLE OF HYDROXYL RADICAL
COMES FROM THE SELF-CLEANING ABILITY OF THE SEA

Hydroxyl water ion technology uses water as raw material without adding any chemical substances, and generates particle shower after the generator is powered on to split water molecules into hydroxyl radicals. The hydroxyl radical has super oxidation ability, which can effectively degrade the bacteria, pesticide residues and hormones on the food surface.

Hydroxyl water ion cleaning technology is a new cleaning technology based on active oxygen and plasma. Clean water is used in the purification process without additives. After cleaning, there is no harmful residue, avoiding secondary pollution. It is safe enough to effectively remove pesticides and bacteria.



experiment



MASE ▶ MODE



DAHA SAĞLIKLI VE UZUN ÖMÜRLÜ GIDALAR

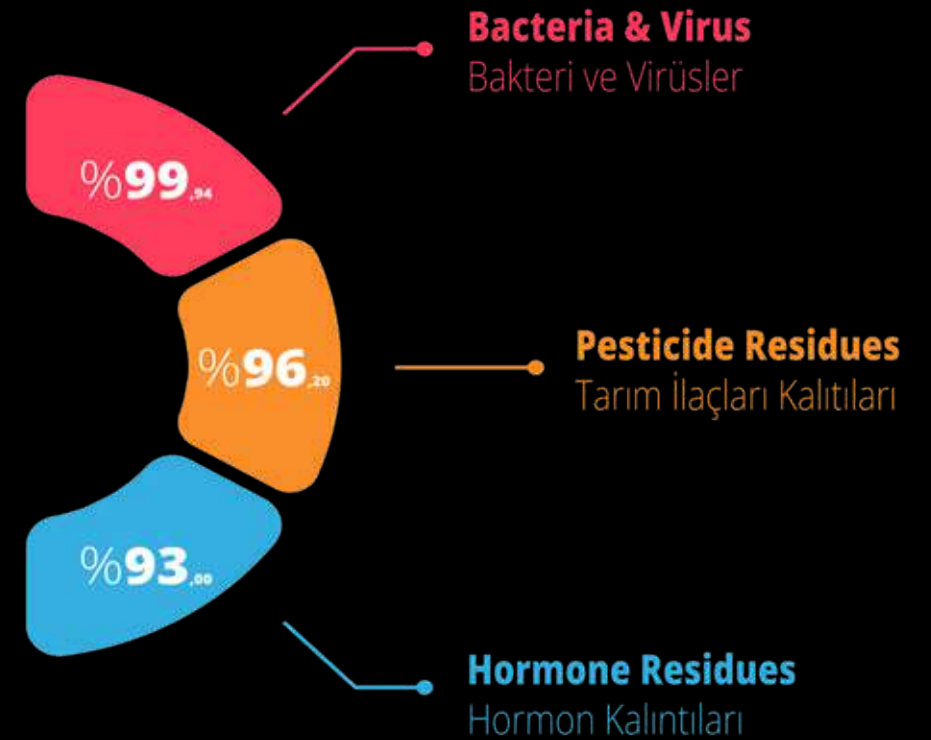
FOCUS ON FOOD PURIFICATION

Hydroxyl water ion cleaning technology is a new cleaning technology based on active oxygen and plasma. Clean water is used in the purification process without additives. After cleaning, there is no harmful residue, avoiding secondary pollution. It is safe enough to effectively remove pesticides and bacteria.

Hidroksil Su İyon Temizleme Teknolojisi (Ozon Jeneratörlü Eveye), aktif oksijen ve plazma temelli yeni bir temizleme teknolojisidir. Arıtma işleminde katkı maddesi olmadan temiz su kullanılır. Temizlikten sonra, ikincil kirliliği önleyen zararlı bir kalıntı yoktur. Pestisitleri, bakterileri ve hormonları etkili bir şekilde giderecek kadar güvenlidir.

Ozon Eveye Teknolojisi, Sebze, meyvelerde, beyaz ve kırmızı etlerdeki tüm bakteri, virüs, tarım ilaç kalıntıları ve hormonları temizler, lezzetlerini artırır, buzdolabı ömürlerini en az iki katına çıkarır.

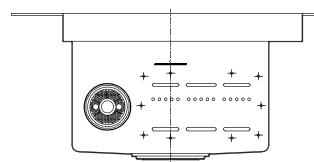
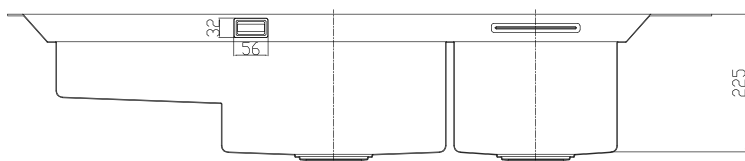
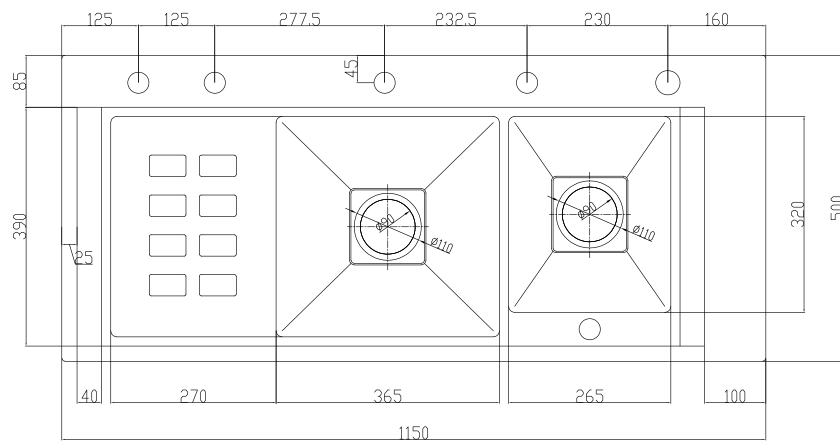
Ozone Sink Technology removes all bacteria, viruses, pesticide residues and hormones from vegetables, fruits, white and red meats, enhances their flavor, and at least doubles their refrigerator life.



LORIEN ▶

SINK-0012

Product Size: 1150*500*225MM
Cut Out Size: 1120*470*R15MM
Material: SUS304



HYDRO PURIFICATION SINKS



Focus on food purification

Deep sterilization, pesticide residue removal and hormone reduction



99.94%
Steam Sterilization

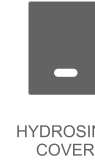
96.2%
Removing
pesticide residues

93%
Reduce hormone
residues

LORIEN ▶



ACCESSORIES



Automatic Cleaning Function

Cleaning process controlled by computer program, all you need to do is tap the control buttons on the sink. Hydroxyl water ion technology and circulating live water pump, wash thoroughly.



Hydroxyl Water Ion Sterilization And Pesticide Degradation Function

Hydroxyl water ion sterilization and pesticide hormone degradation function helps sterilize and remove pesticide residues on vegetables and fruit efficiently and without pollution.



Cutlery Disinfection Function

Put the cutlery into the machine, sterilization and disinfection function can be completed simply and quickly.



Removable Accessory Design

The machine is equipped with a washing basket for fruits and vegetables. After washing, the washing basket can be taken out, which is convenient and saves trouble and avoids secondary pollution.

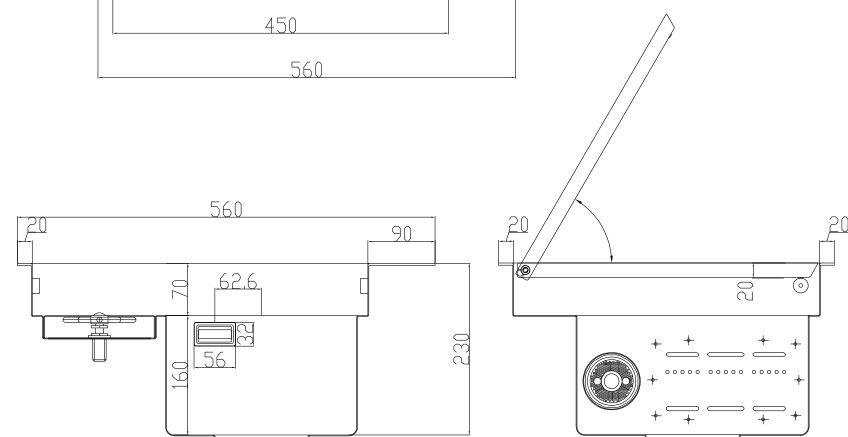
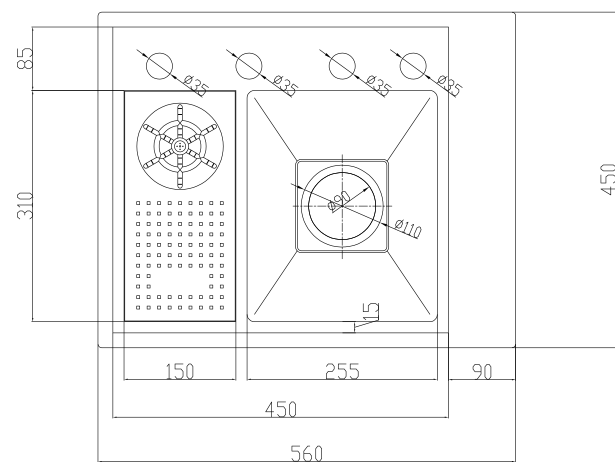
LORIEN ▶



VILLORE ▶

SINK-0012

Product Size: 560*450*230MM
Cut Out Size: 530*420*R15MM
Material: SUS304



VILLORE ▶



ACCESSORIES



4066
3IN 1
FAUCET



CUP-RINSING
SPRINKLER



DRAINING BOARD
FOR CUP-RINSER



BASKET



HYDROSINK
COVER



SOAP
DISPENSER

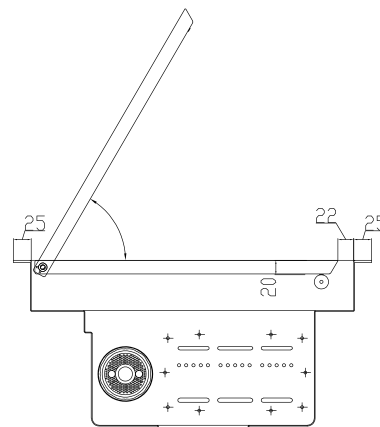
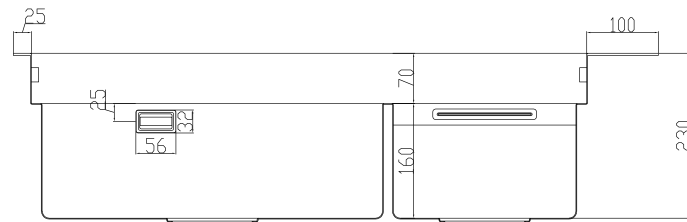
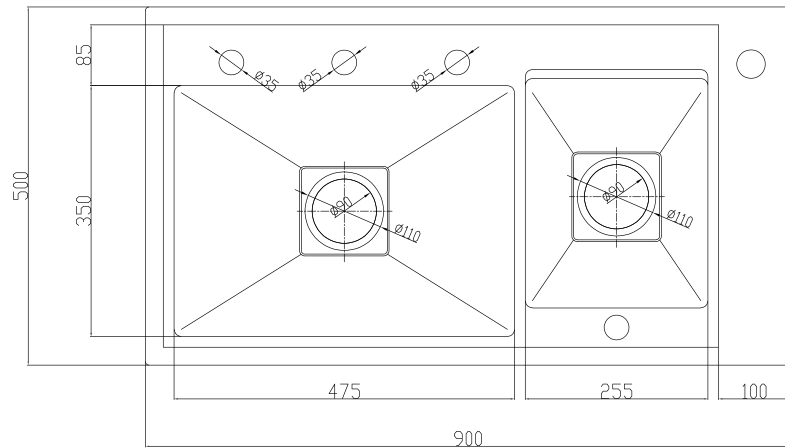


DRAINER
AND HOSE

NOVA ▶

SINK-0012

Product Size: 900*500*230MM
Cut Out Size: 870*470*R15MM
Material: SUS304



NOVA ▶



ACCESSORIES



4060
3IN 1
FAUCET



4050
FAUCET



CRAINING
TRAY



BASKET



HYDROSINK
COVER



SOAP
DISPENSER



DRAINER
AND HOSE

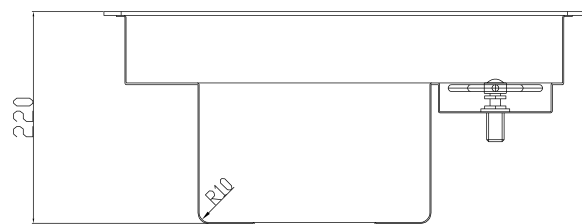
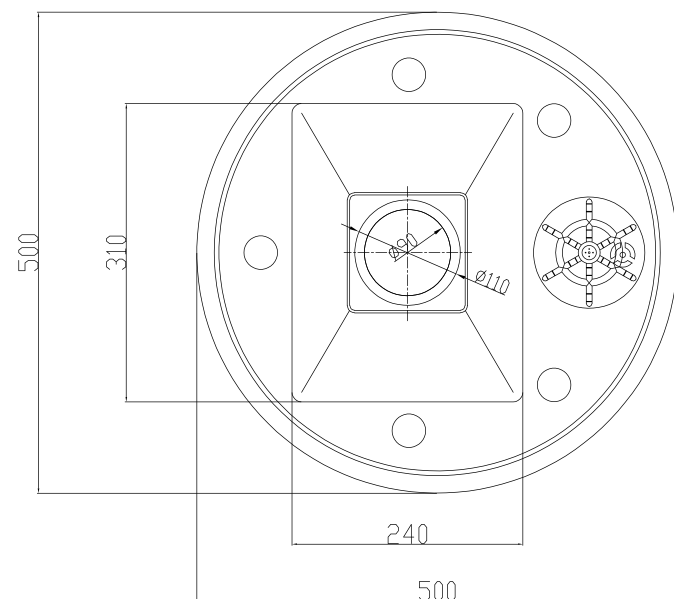
LOFT ▶

SINK-0012

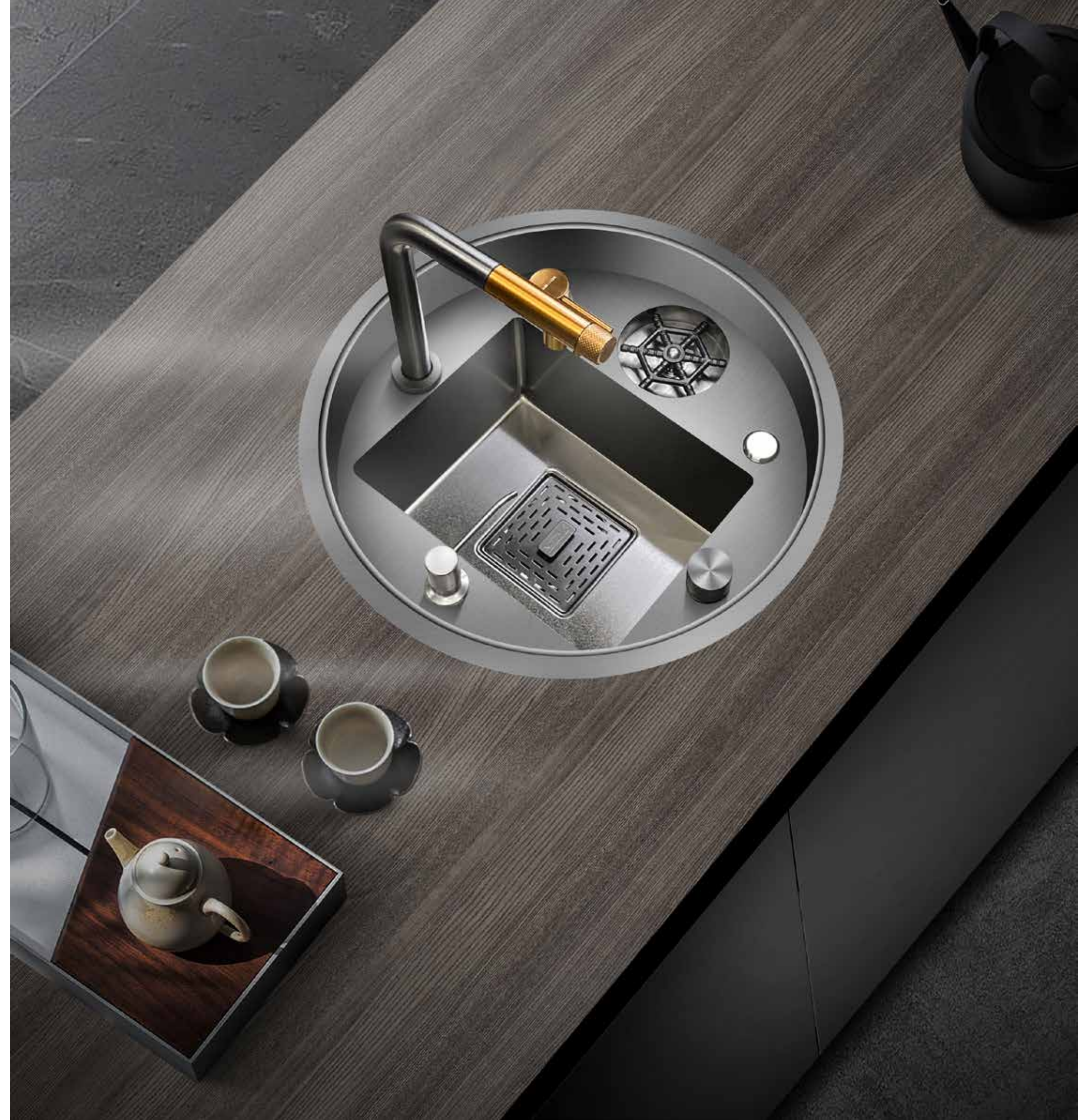
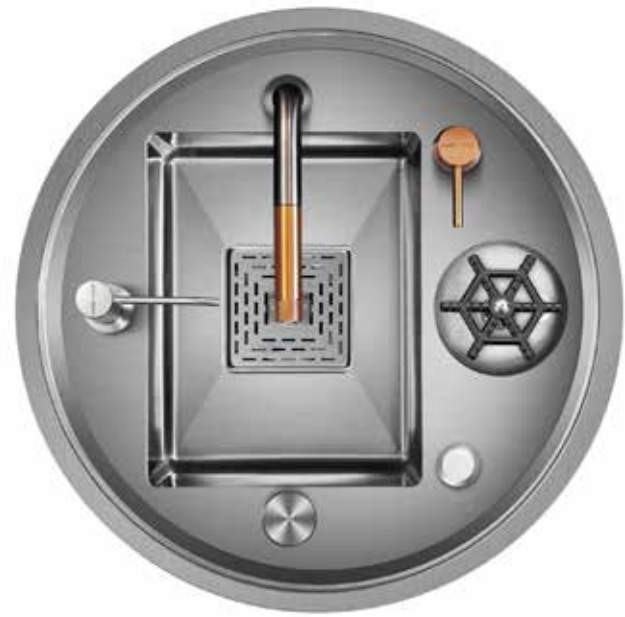
Product Size: $\varnothing 500 \times 220$ MM

Cut Out Size: $\varnothing 470$ MM

Material: SUS304



LOFT ▶



ACCESSORIES



4066
3IN 1
FAUCET



CUP-RINSING
SPRINKLER



DRAINING BOARD
FOR CUP-RINSER



SOAP
DISPENSER



DRAINER
AND HOSE

NA21246/NA21650

- waterfall Faucet out of water
吧台洗涤系统
- Small rounded corners are easy to clean
开放式的欧式风格
- Double steps, cutting board, drain basin can be switched left and right
多功能
- Nano technology, antibacterial and anti-rust, clean oil after flushing
纳米工艺, 灯条装饰



筷子筒

碗架

碟架



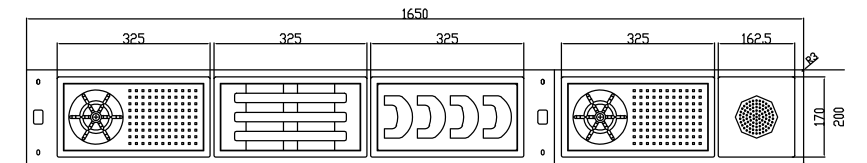
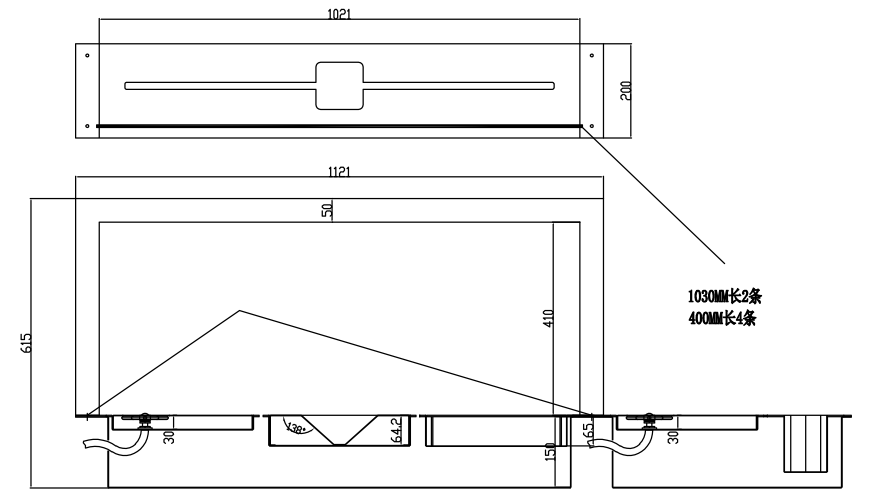
酒杯架

快速洗杯器

隐形盖板

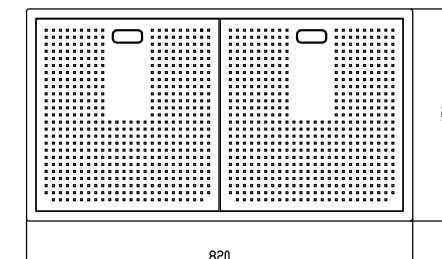
PRODUCT PARAMETERS 产品参数		
型号	NA21246	NA21650
材质	SUS304	SUS304
槽体厚度(mm)	3.0+1.2	3.0+1.2
工艺	PVD黑	PVD黑
产品尺寸: 长*宽*深 (mm)	1210*200*460	1650*200*150
台中开孔尺寸 (mm)		1650*200
可选配件	G5070BH	盖板*2
		XS88H

VIOLA ▶



SINK-0012

Product Size: 1650*200*615MM
Cut Out Size: 1630*180*R5MM
Material: SUS304



SINK-0012

Product Size: 820*450*230MM
Cut Out Size: 790*420*R5MM
Material: SUS304

